

55075 Geartooth Hall Effect Sensor Features and Benefits



Features

- Rotary position geartooth sensor
- Stainless steel M12 threaded barrel
- Electronic protection against severe and automotive environments
- Self adjusting magnetic range
- 3 wire (voltage output)
- EMC protection (consult Hamlin)
- Short circuit/reverse voltage protection
- Zero speed detection

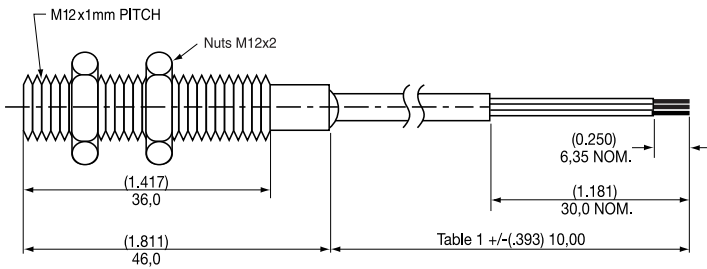
Benefits

- Long life; up to 20 billion operations
- High speed operation
- No chopper delay
- Unaffected by harsh environments
- Rotary orientation not critical
- On-chip 10 bit A/D converter
- Customer selection of cable length and connector type

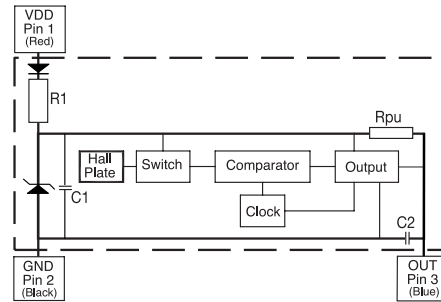
Applications

- Geartooth sensor
- Camshaft sensor
- Linear encoder
- Rotary encoder

DIMENSIONS (in) mm



BLOCK DIAGRAM

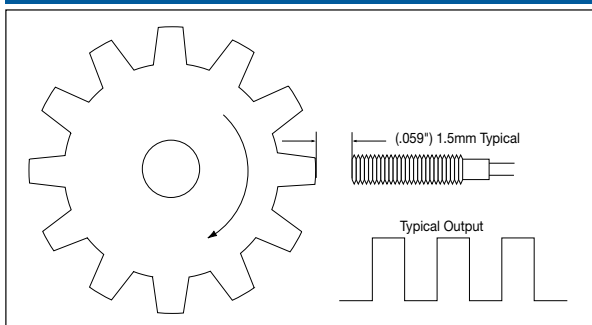


SPECIFICATIONS

Hall Type			Digital Switch 3 Wire (Voltage Output)
Supply Voltage (Note 1)	Maximum	Vdc	-25 to +25.2
	Operation	Vdc	4.75 to 25.2
	Overvoltage Protection	Vdc-max	27
Output High Voltage	Vdc-min	VDD - 2 (sinking outputs with internal pull-up resistor)	
Output Low Voltage	Vdc-max	0.6 @ 20mA	
Output Current (continuously on)	mA-max	20	
Current Consumption	mA-min	1	
	mA-max	10.5	
Switching Speed	kHz-max	15	
Temperature	Operating	°C	-40 to +85
	Storage	°C	-65 to +85

Note 1 - As long as Tj (Junction Temperature) is not exceeded

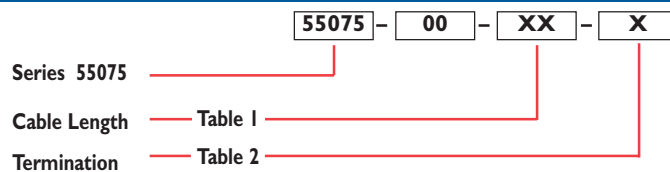
APPLICATION EXAMPLE - Geartooth Sensor



CUSTOMER OPTIONS - Cable Length and Termination

TABLE 1 Cable Length Options:- (Cable Type 24 AWG 7/32 PVC 105°C, Double Insulated)		TABLE 2 Termination Options:-	
SELECT OPTION	CABLE LENGTH (in) mm	SELECT OPTION	DESCRIPTION
01	(3.94) 100	A	Tinned leads
02	(11.81) 300	C	6.35mm fastons
03	(19.69) 500	D	AMP MTE 2.54mm pitch
04	(29.53) 750	E	JST XHP 2.5mm pitch
05	(39.37) 1000		

ORDERING INFORMATION



Hamlin USA Tel: +1 920 648 3000 • Fax: +1 920 648 3001 • Email: sales.us@hamlin.com
Hamlin UK Tel: +44 (0)1379 649700 • Fax: +44 (0)1379 649702 • Email: sales.uk@hamlin.com
Hamlin Germany Tel: +49 (0) 6142 923920 • Fax: +49 (0) 6142 923921 • Email: sales.de@hamlin.com
Hamectrol France Tel: +33(0) 1 6047 3000 • Fax: +33(0) 1 6015 9136 • Email: sales.fr@hamlin.com

INFORMATION PROVIDED ON THIS DATA SHEET IS PROVIDED FOR INFORMATION PURPOSES ONLY AND SHOULD NOT BE RELIED UPON AS BEING ACCURATE FOR ANY PARTICULAR PURPOSE. Product performance may be affected by the application to which the product is put. Upon request, HAMLIN will assist purchasers by providing information specific to any particular application. HAMLIN disclaims any and all liability whatsoever for any purchaser's reliance upon the information contained on this data sheet without further consultation with authorised representatives of HAMLIN.